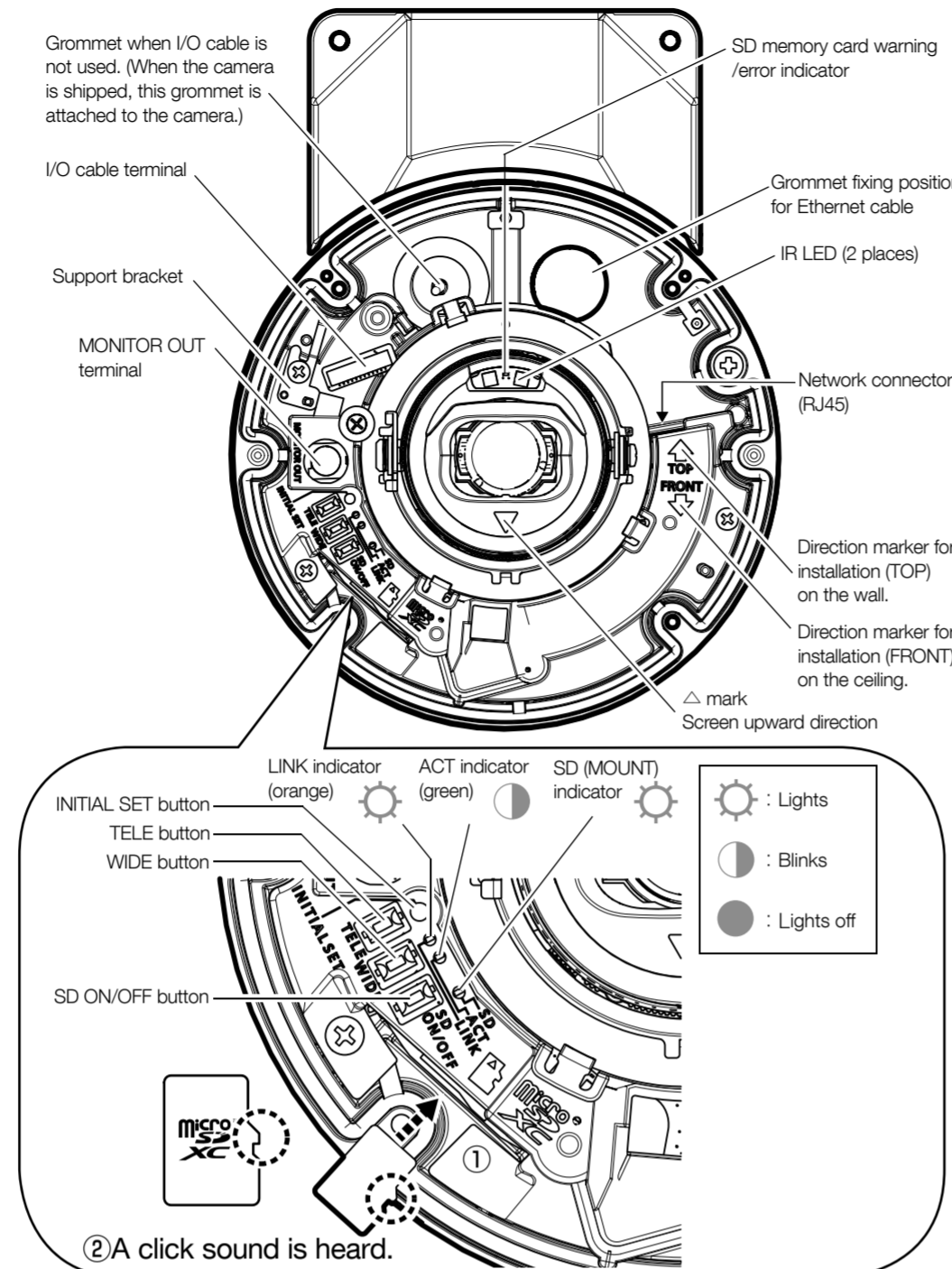
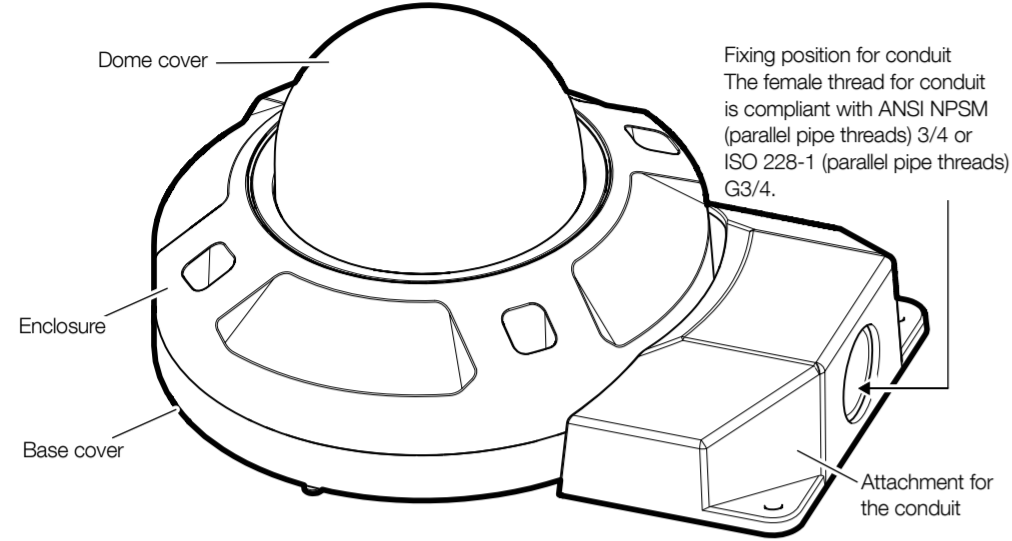


Installation Procedure

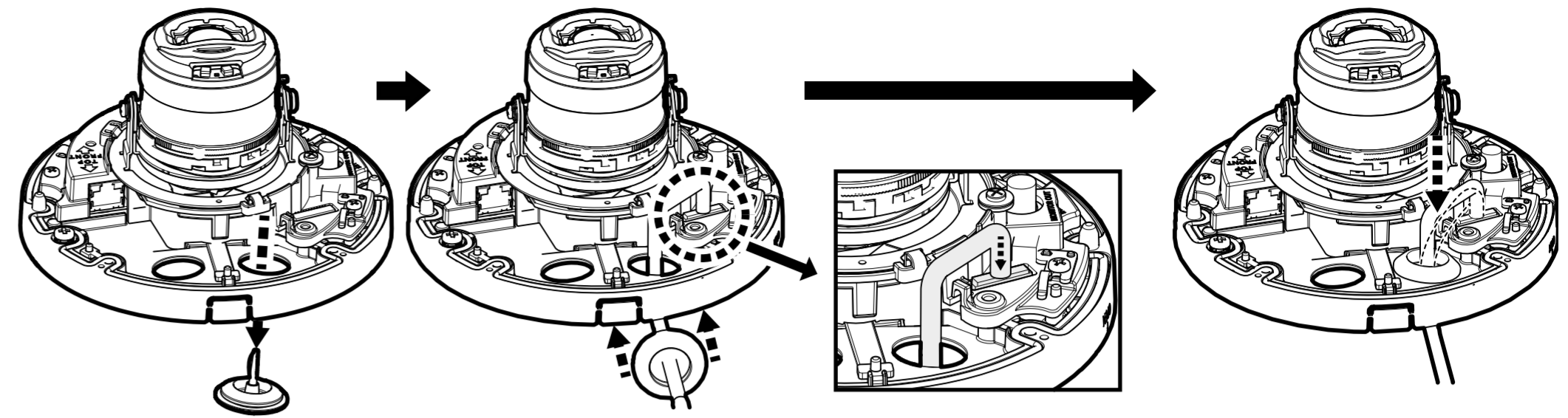
PGQW2 3 6 4 YA
Cs1221-1042
Printed in China
Manual site
Support site

Parts and functions

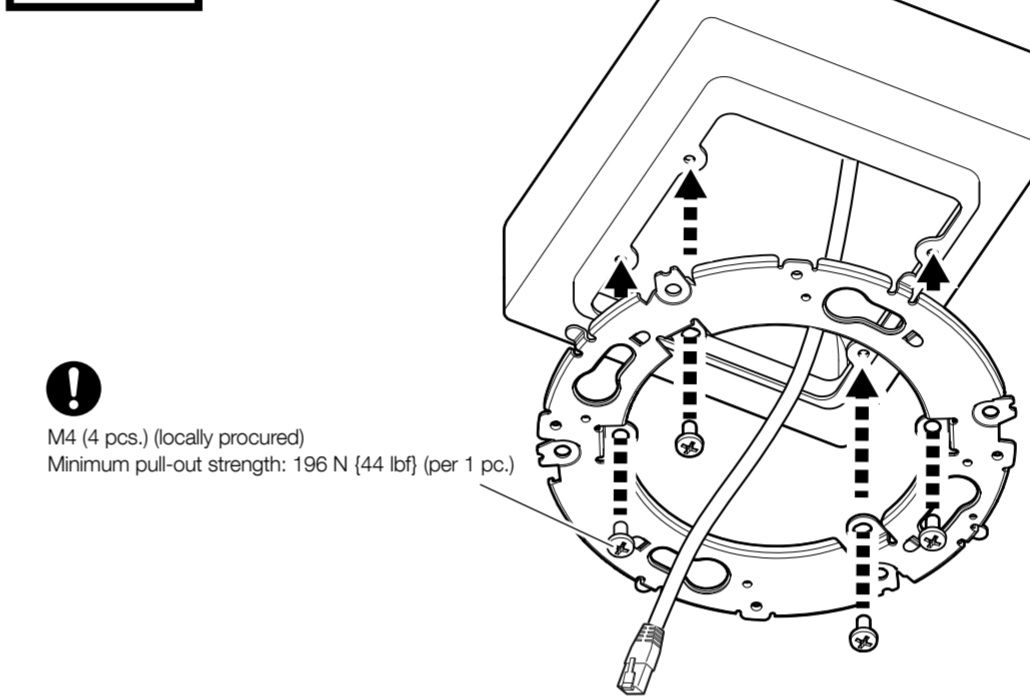


- Operating Instructions "Indicators"
All off
- Operating Instructions "Format the microSD memory card"
- Support website "Compatible microSD memory card" <Control No.: C0107>

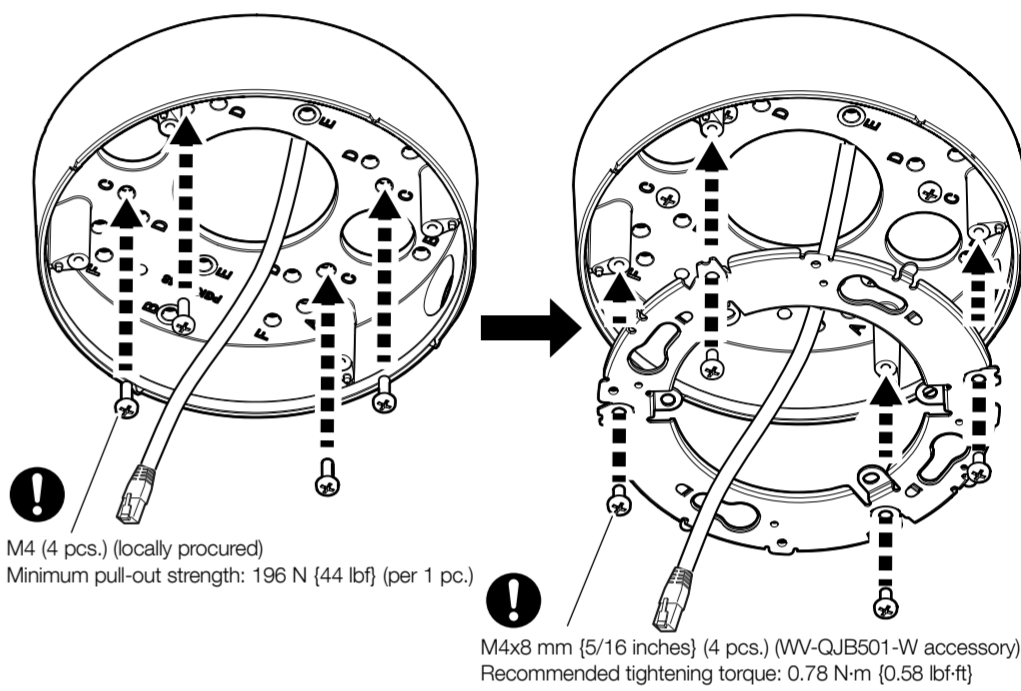
When using an I/O cable (WV-QCA501A: optional accessory)



Step2 Gangbox/ junction box

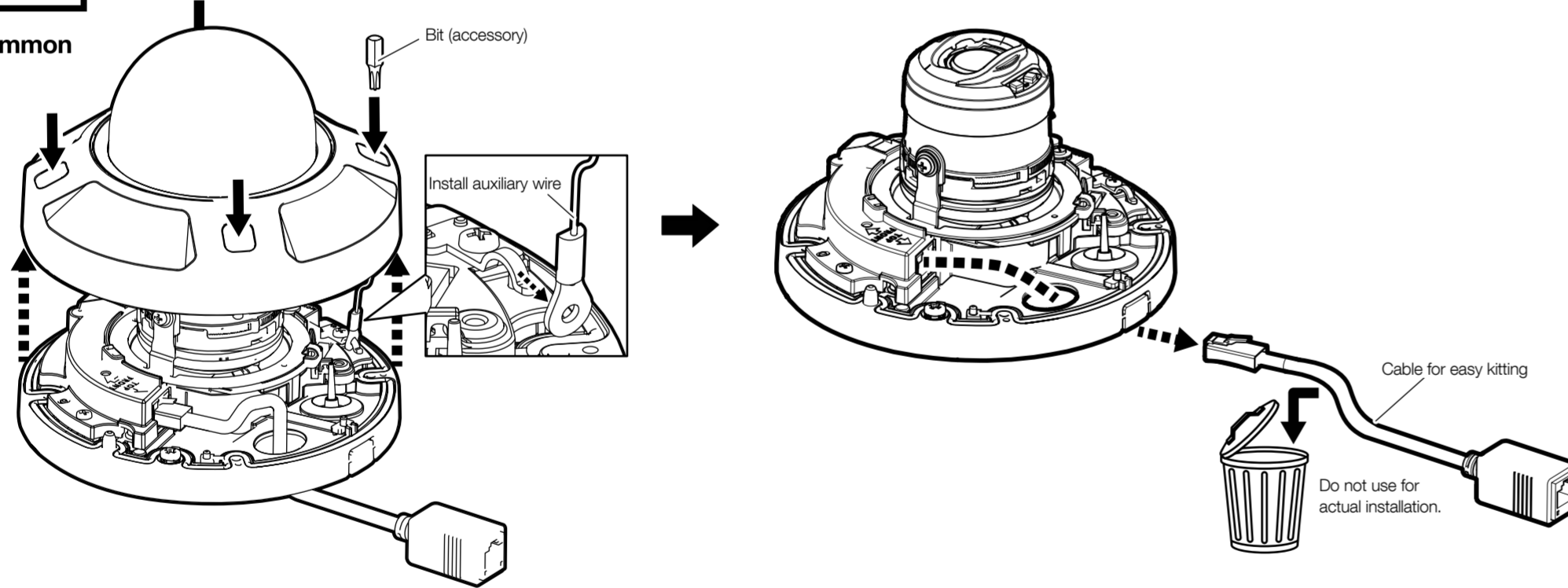


Base bracket (WV-QJB501-W)

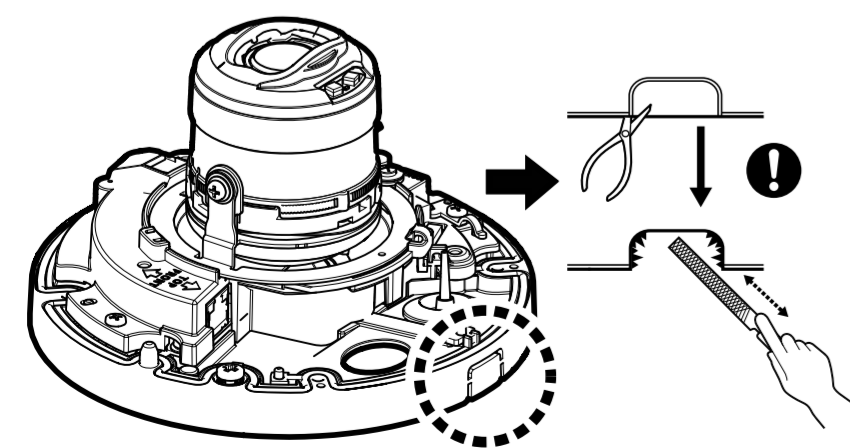


Step1 Preparations

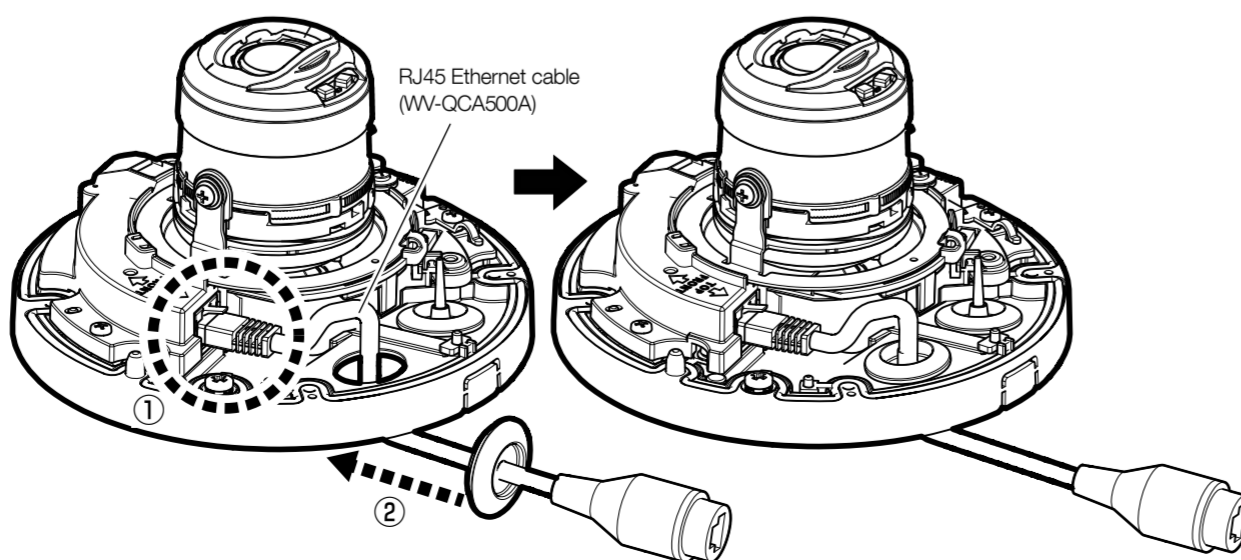
Common



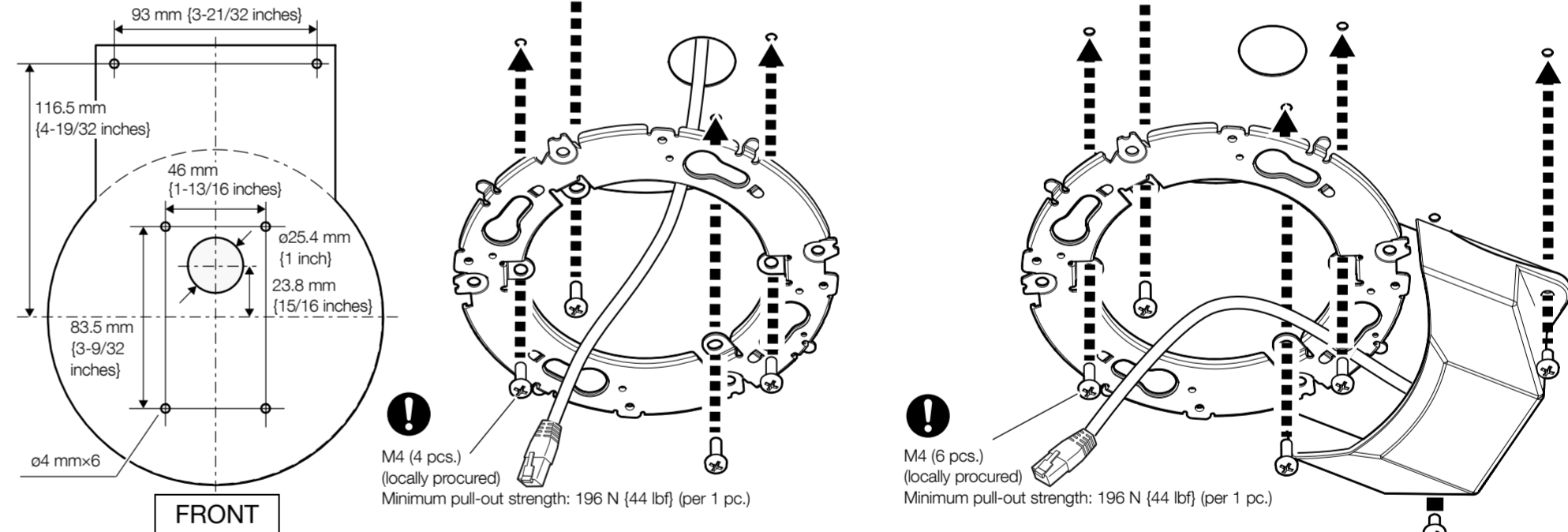
When using attachment for the conduit



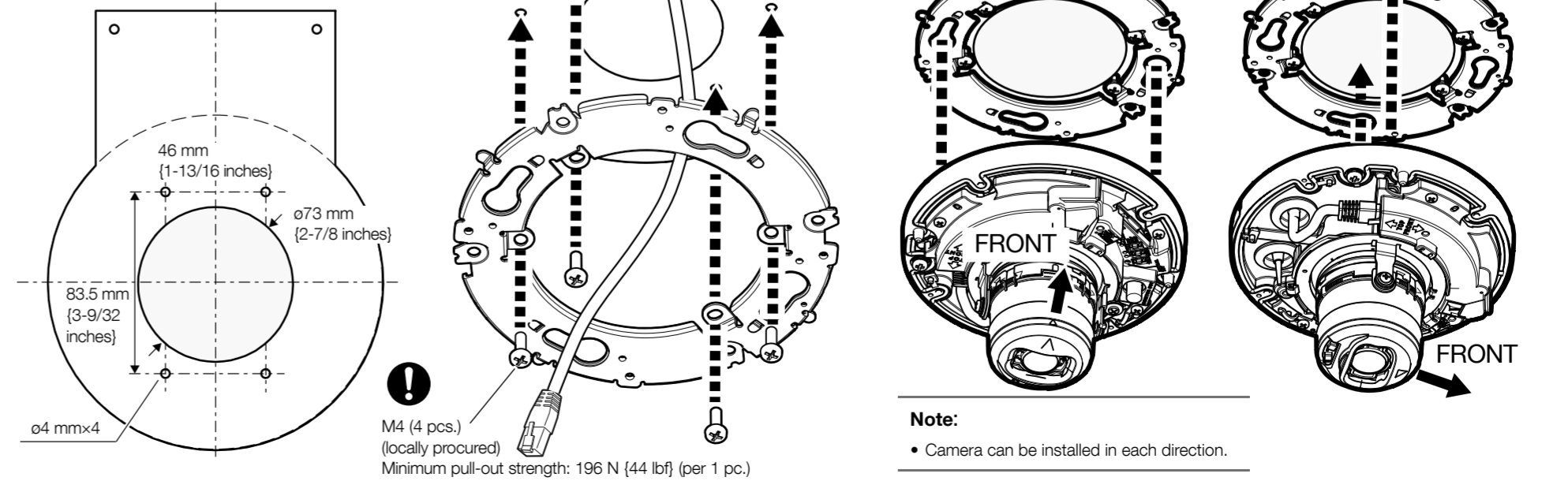
When using a RJ45 Ethernet cable (WV-QCA500A: optional accessory)



Directly mount the camera

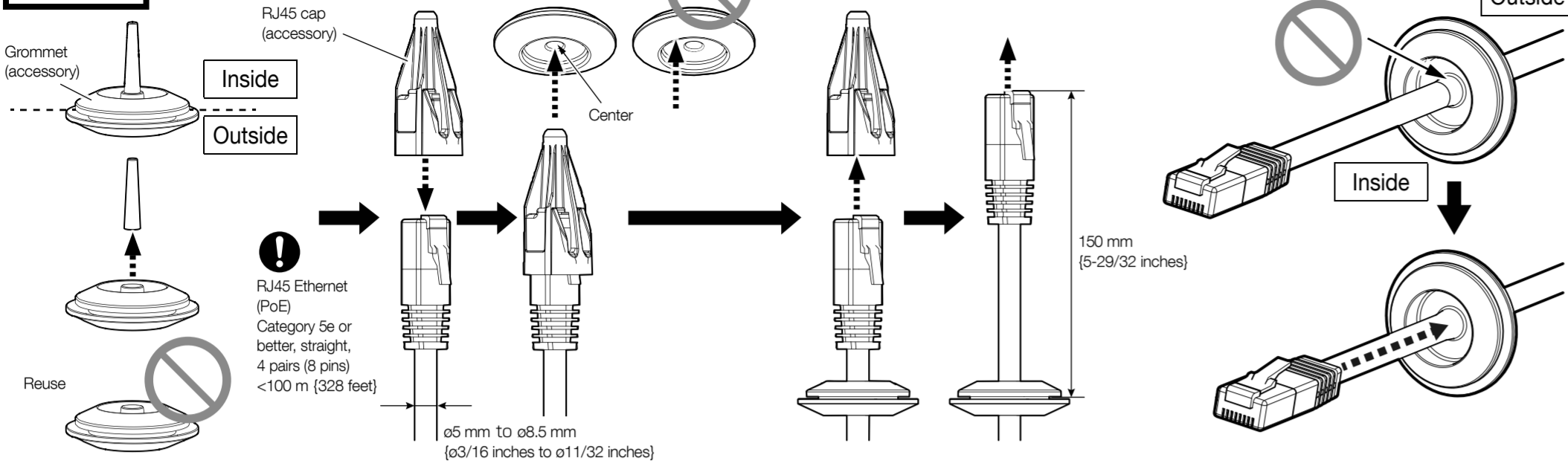


If you want to change the direction of the camera after it has been installed.

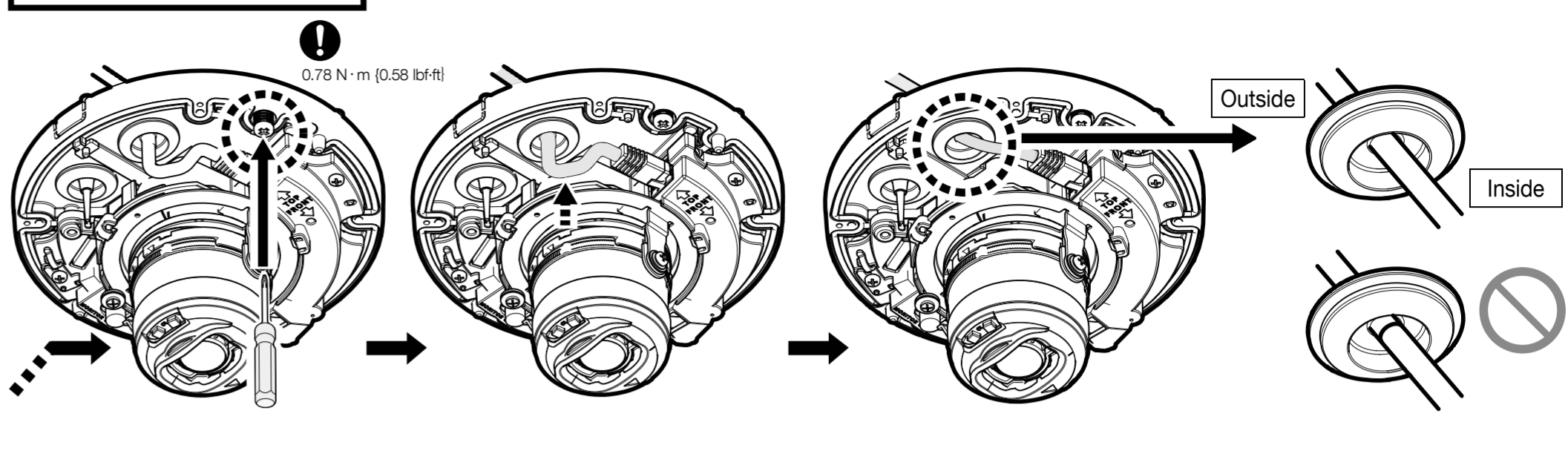


Note:
• Camera can be installed in each direction.

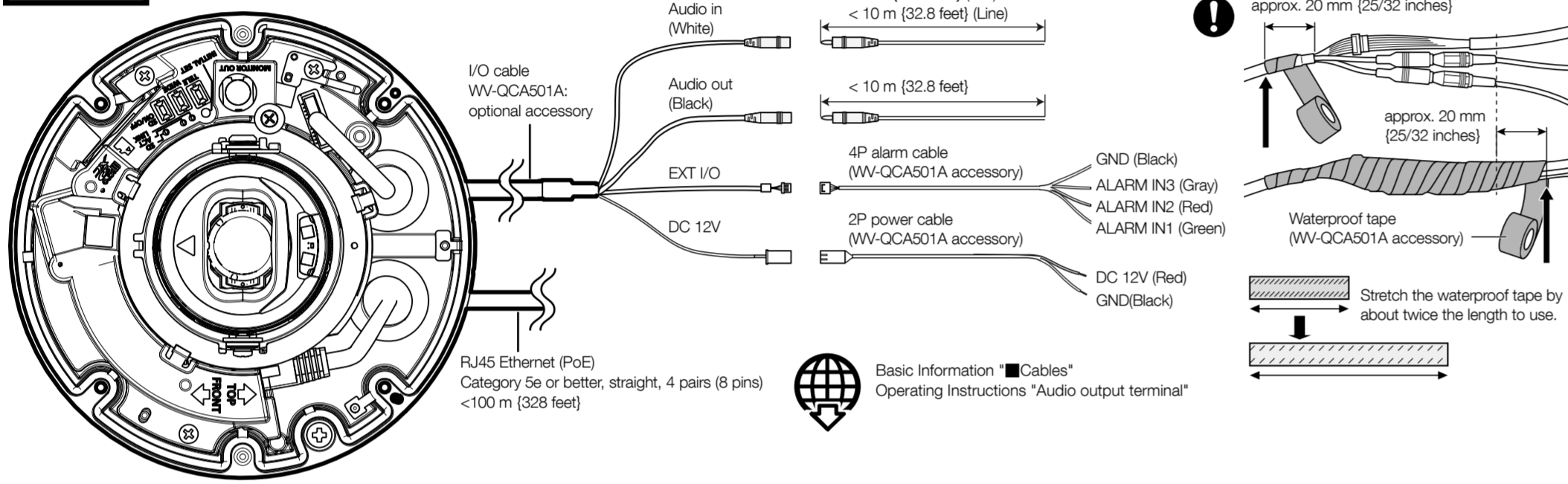
Step3



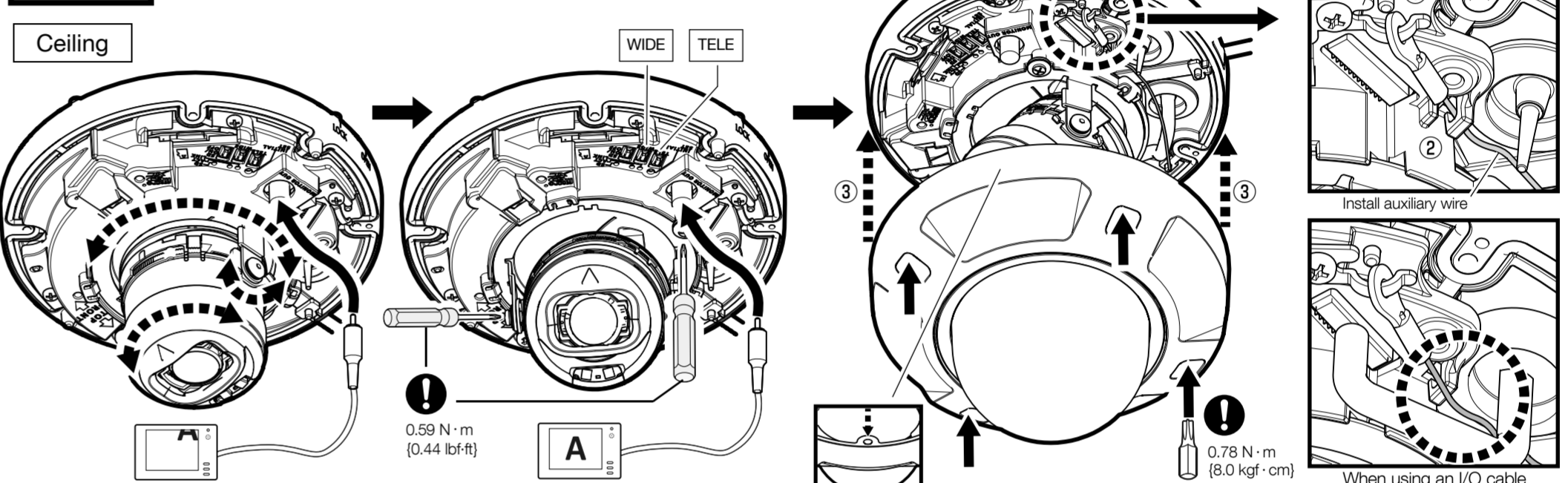
Step5 (Continued)



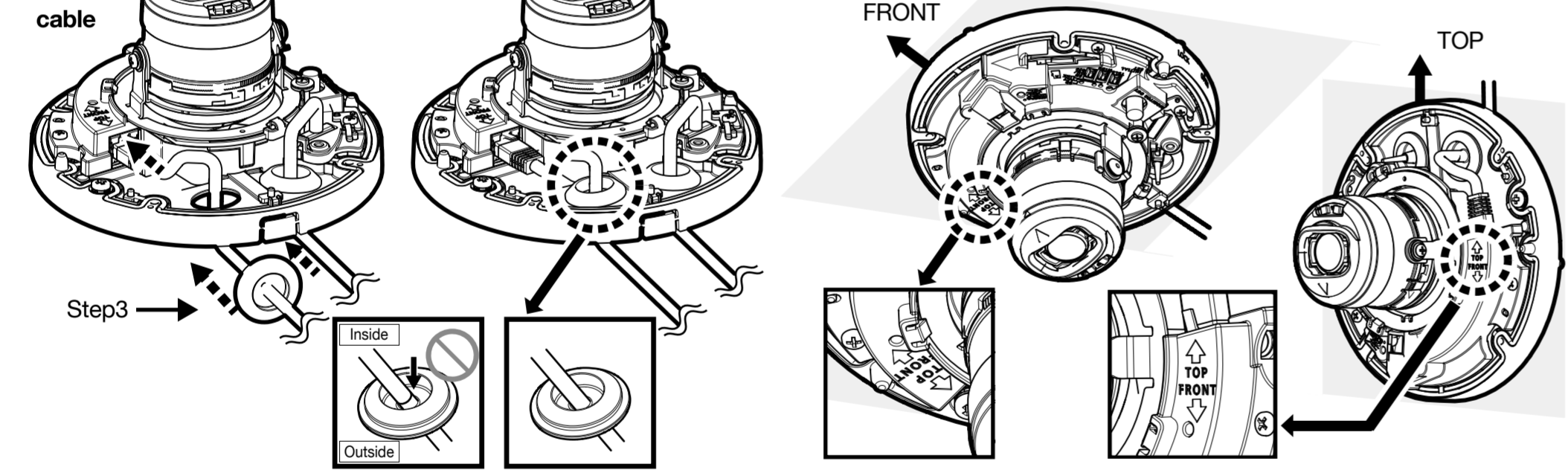
Step4



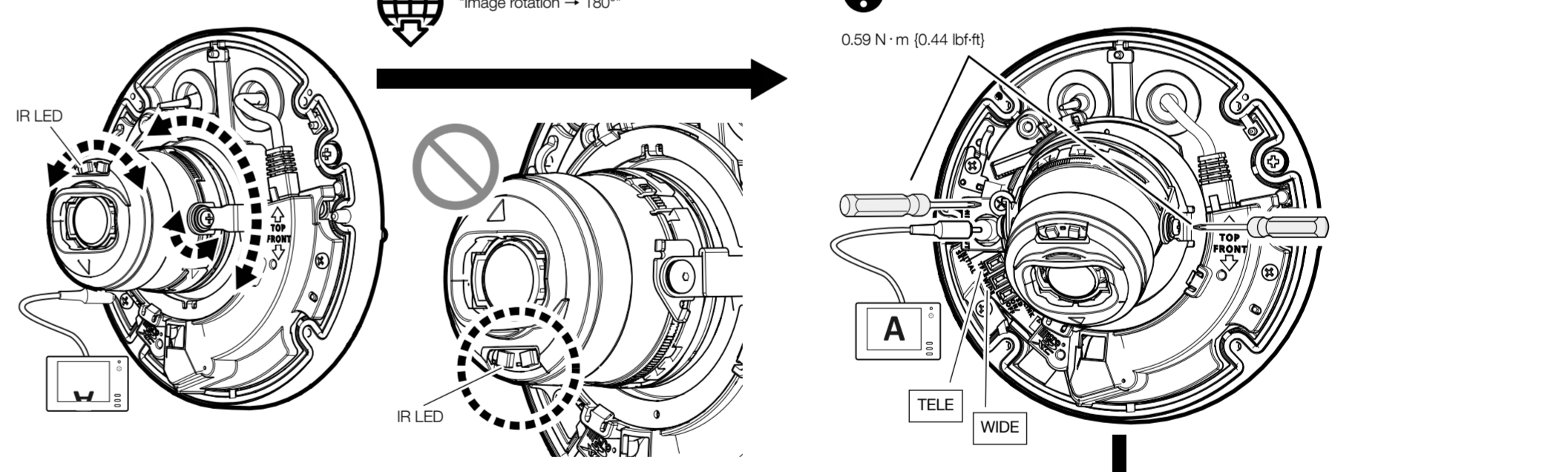
Step6



RJ45 Ethernet cable



Step7



Step5

